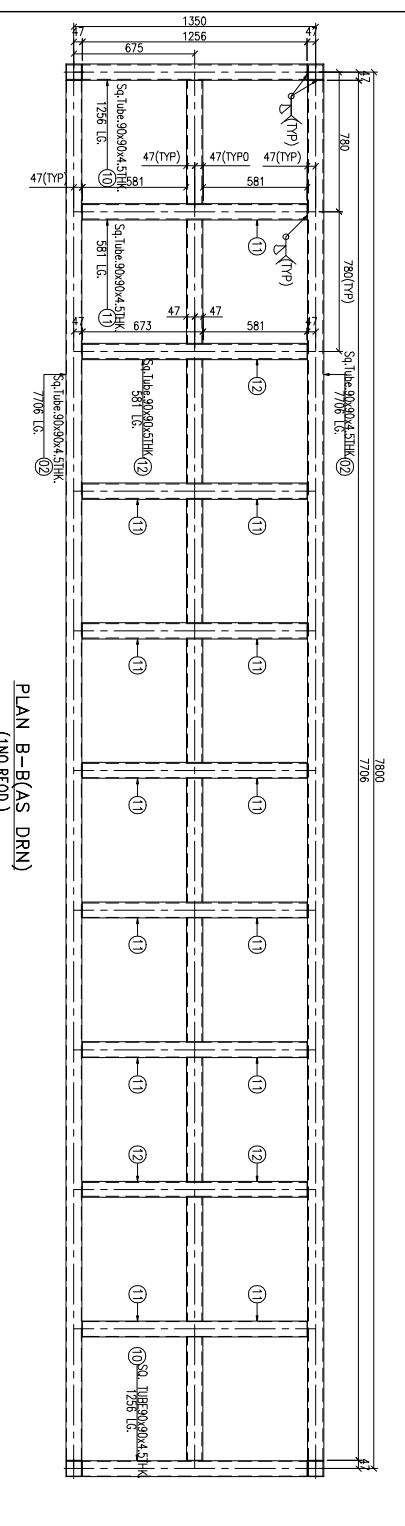
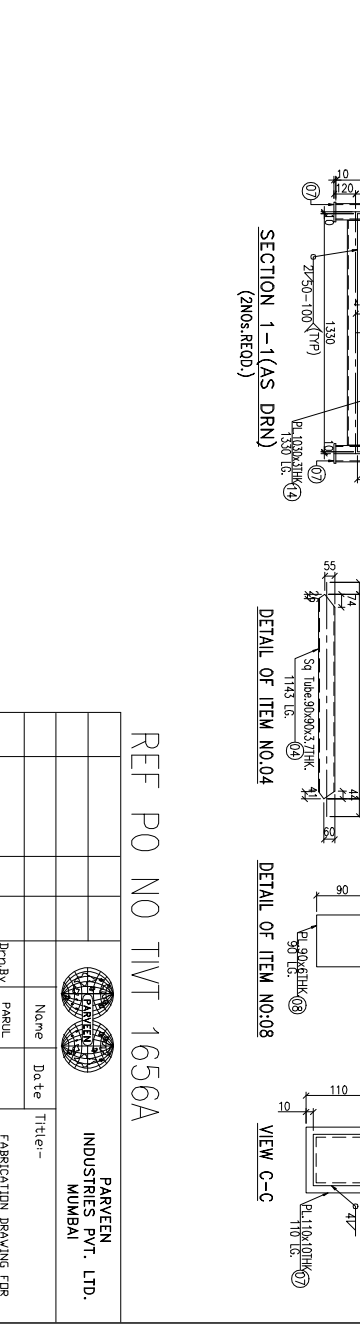
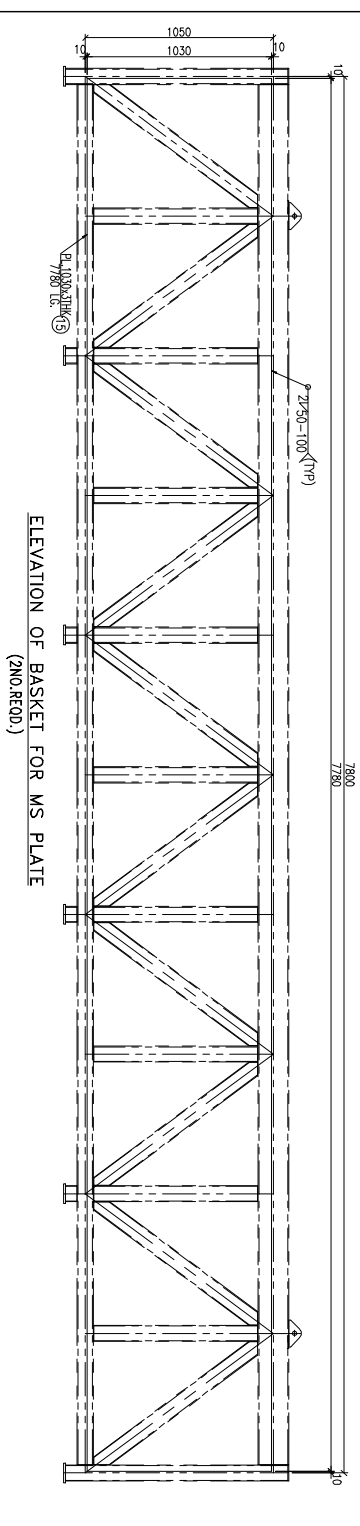
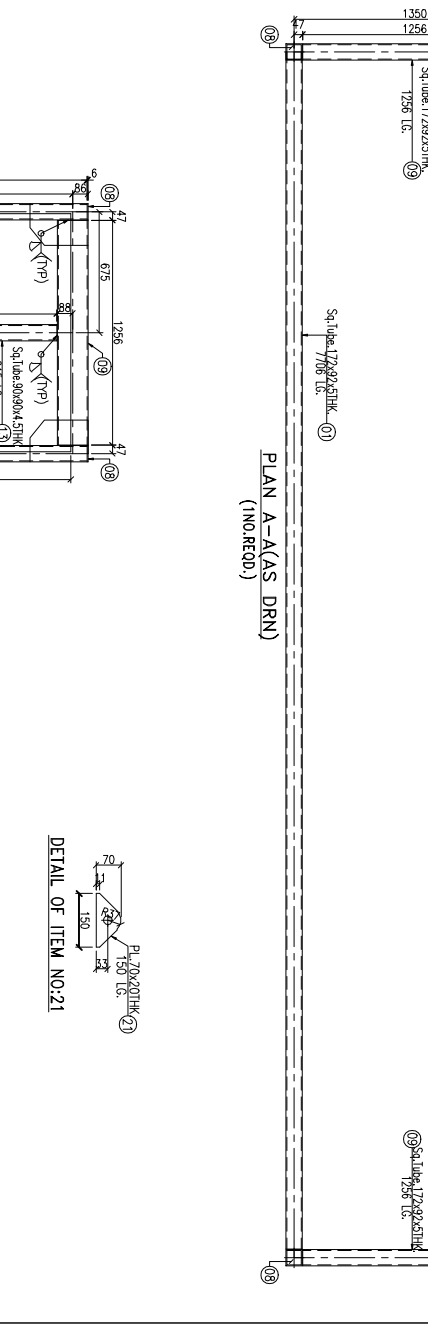
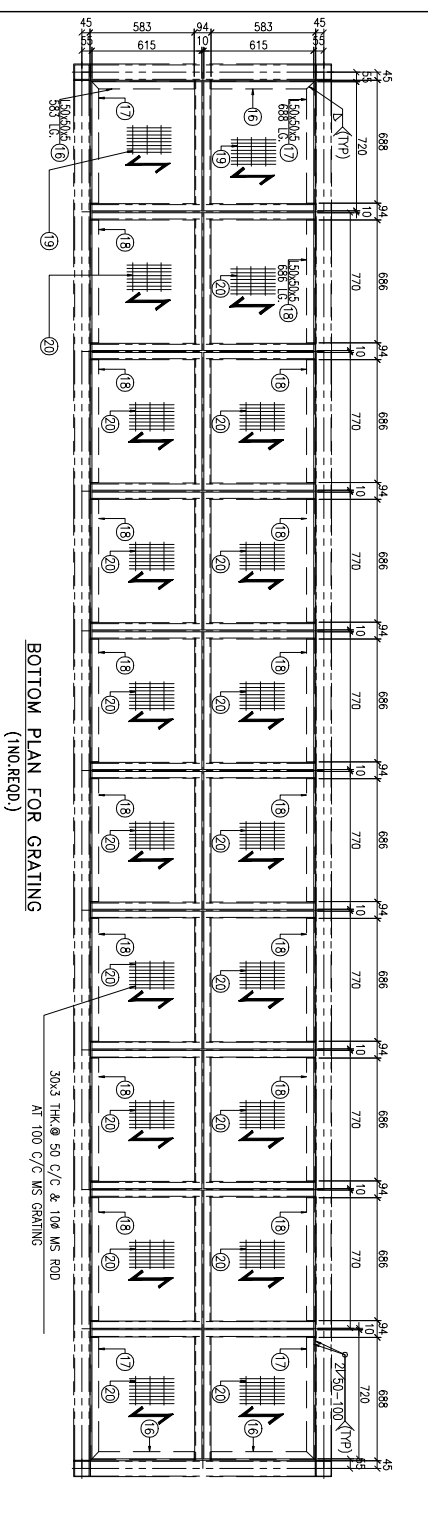


ITEM NOS.	SECTION	WIDTH	LENGTH	NOS.	WEIGHT IN KGS.	REMARKS
		mm	mm		TOTAL WEIGHT	
BASKET-3						
1	Sq. Tube 172x2x2.5	7706	2			
2	Sq. Tube 90x90x4.5	7706	2			
3	Sq. Tube 90x90x4.5	1740	4			
4	Sq. Tube 90x90x4.5	1740	20			
5	Sq. Tube 90x90x4.5	915	18			
6	Sq. Tube 90x90x4.5	360	8			
7	Pl. 10TH	110	12			
8	Pl. 6TH	90	4			
9	Sq. Tube 172x2x2.5	1256	2			
10	Sq. Tube 90x90x4.5	1256	2			
11	Sq. Tube 90x90x4.5	581	14			
12	Sq. Tube 90x90x4.5	581	4			
13	Sq. Tube 90x90x4.5	915	2			
14	Pl. 3TH	1030	1330	2		
15	Pl. 3TH	1030	7780	2		
16	L50x50x5	583	4			
17	L50x50x5	688	4			
18	L50x50x5	688	16			
19	GRATING 30x3+100x6	615	720	4		
20	GRATING 30x3+100x6	615	720	16		
21	Pl. 20TH	70	150	4		
TOTAL						



SECTION	WEIGHT
Sq. Tube 50x50x5	12.27
Pl. 3TH	44.95
Sq. Tube 90x90x4.5	237.51
GRATING 30x3+100	308.48
Sq. Tube 90x90x4.5	635.31
Sq. Tube 172x2x2.5	401.17
Sq. Tube 90x90x5	35.47
Pl. 6TH	1.49
Pl. 10TH	11.40
Pl. 20TH	6.39
GRAND TOTAL= 2191.05 Kgs	



REF PO NO TWT 1656A

PARVEEN INDUSTRIES PVT. LTD. MUMBAI

FABRICATION DRAWING FOR BASKET CFWVAFV3379

Rev.	By	Check	Date	Appo.	By	Scale	Status